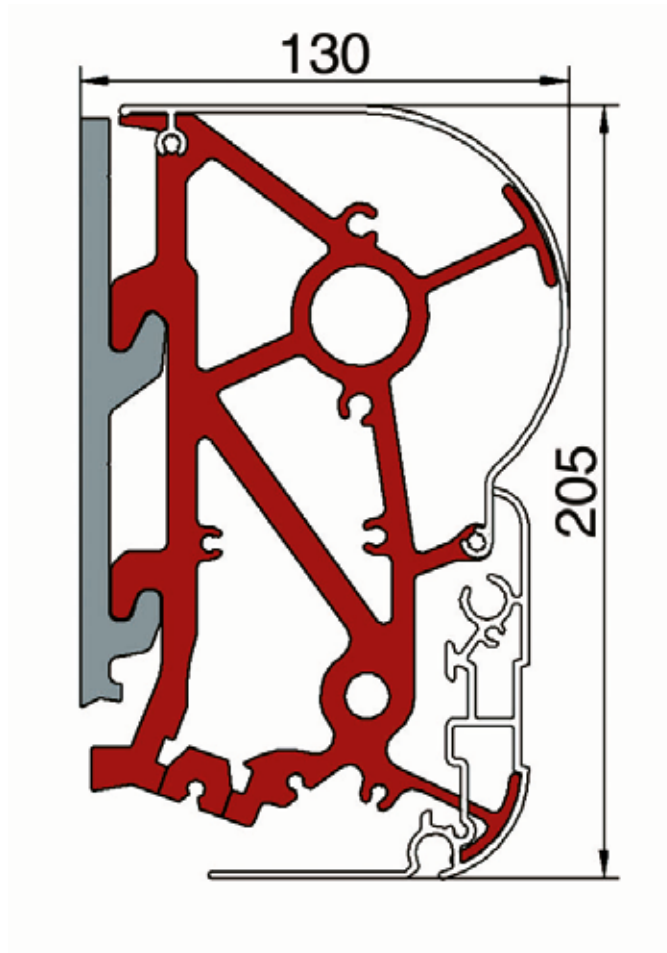
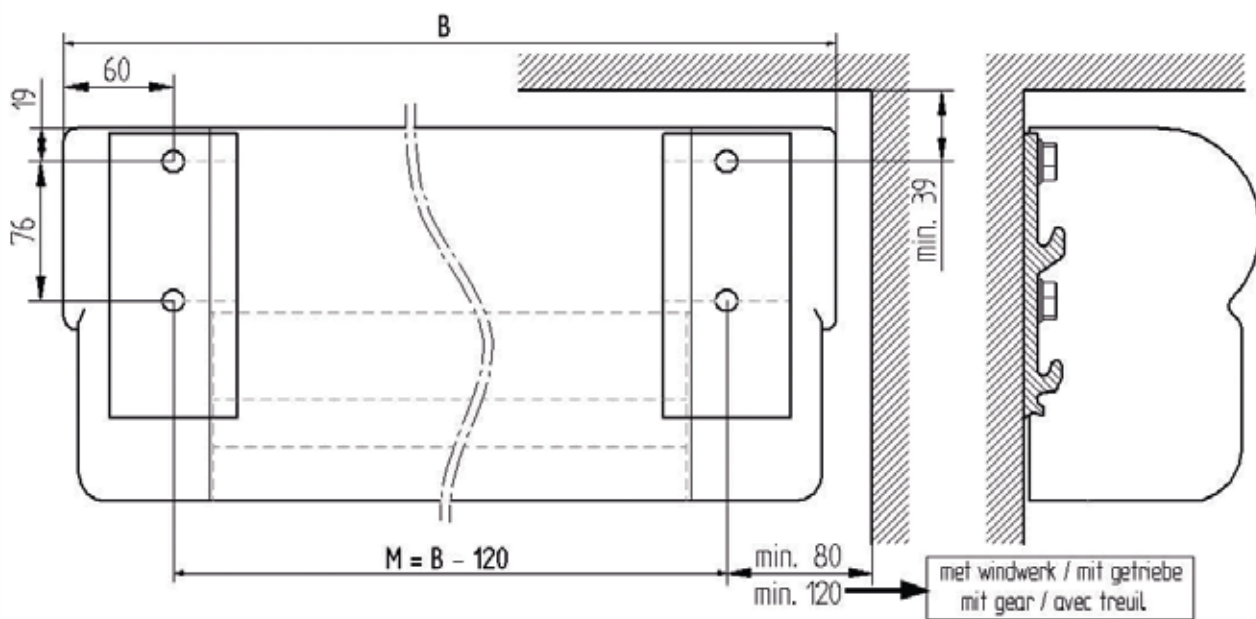


> **WALL INSTALLATION B-23**



DRILL SCHEME



INSTALLATION INSTRUCTIONS B23

Read these installation instructions carefully. A correct functioning needs a correct installation. No guarantee will be allowed for wrong installation.

CONTENT MOUNTING KIT

Screws 4,8 x 70 DIN 79812
Installation instructions B 231

SELECTION OF FIXATION MATERIAL

Take into account a retracting force on the bolts of 370 kg(830 lbs)(for a windpressure of 70 N/m² or 1.5 lbf/ft²). Eventually consult a fixations material expert.

REQUIRED TOOLS

- › Drilling machine with rock-drill
- › Open ended spanner SW10 , SW17 and SW19
- › Hexagon pin wrench 5mm, 4mm
- › Rope and spirit level

INSTALLATION OF WALL BRACKETS

Place the wall brackets according to the drilling plan (see FIG.1), put the wall bracket in line and horizontally
Hang the awning in the supports and fix them with the hexagon(see FIG. 2) This is very important, if this is not done correctly the awnings might fall from the wall when opening it.

ADJUSTMENT OF THE PASSAGE HEIGHT

- › Check the passage height and the complete horizontal position of the front profile.
- › To adjust the inclination of the arm
- › Undo the 2 side nuts of the arm a very little bit (FIG.3A.)
- › Adjust the height by turning the lower adjusting bolt (FIG. . 3B)
- › Tighten the 2 side nuts securely (FIG. 3C)
- › Check if the front profile is parallel to the box.

ADJUSTMENT OF THE LEADRAIL

- › Roll out the awning complete till the fabric is hanging loose.
- › Loosen the lead rail until its front is in vertical position.
- › Tighten the screw as shown on picture 6.
- › The height of the hinge of the arms in closed position can be adjusted as shown on FIG. 4

FIXATION OF THE SIDECAP

Unroll the fabric completely and fix the cap with a screw from the inside (FIG. 6).

ELECTRICAL CONNECTION OF THE MOTOR

Connection and tuning of the motor is done in accordance with FIG.7 and the instructions delivered with the motor.

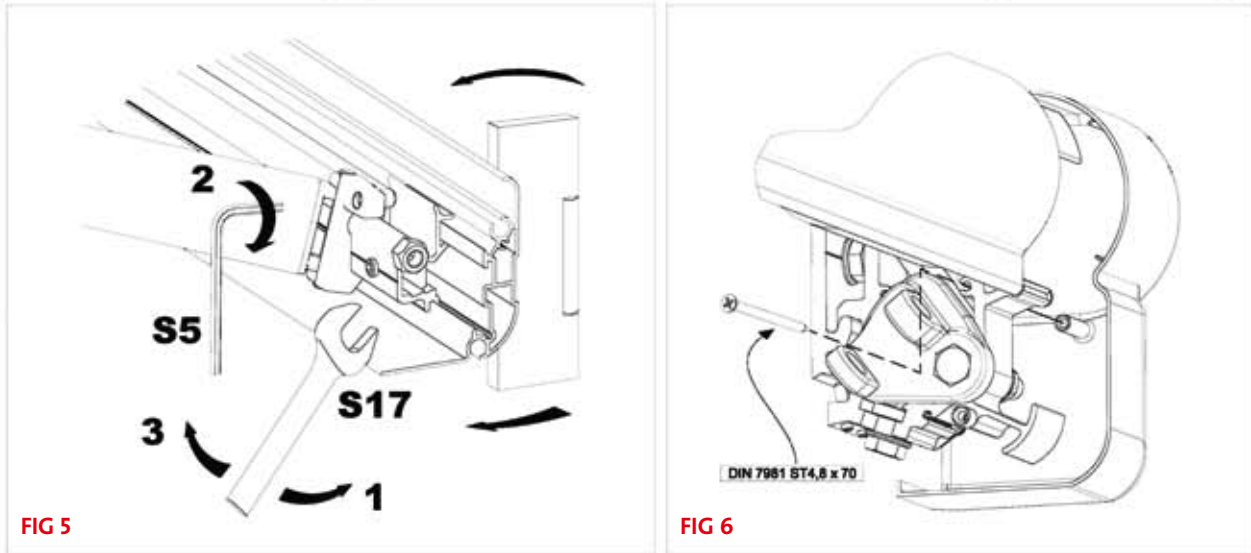
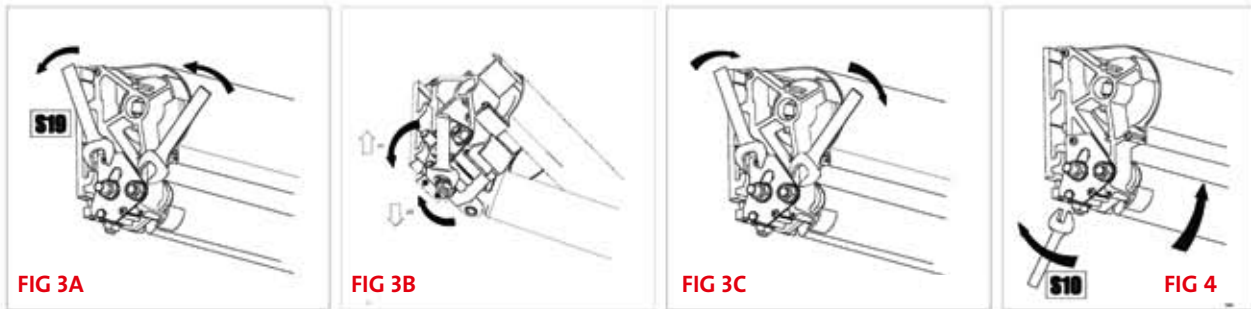
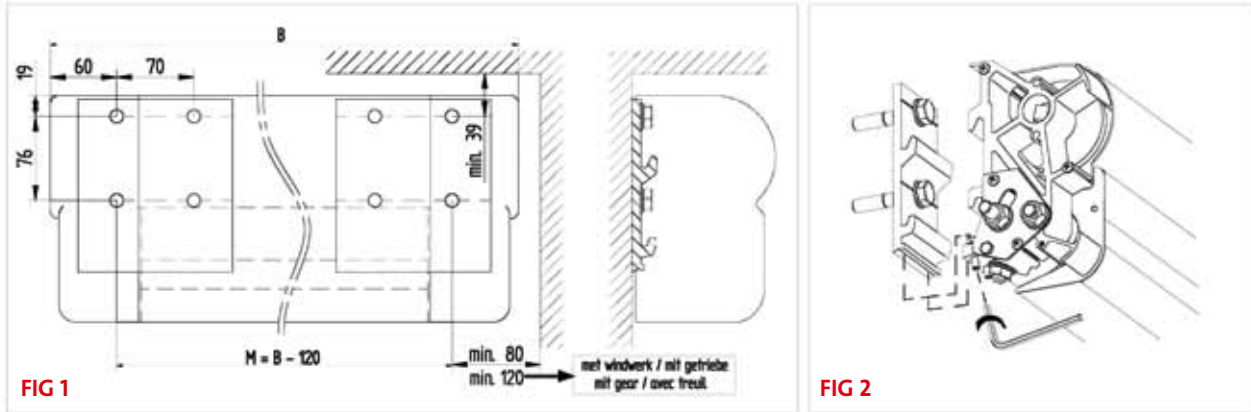
USER INSTRUCTIONS

- › The awning is for sun- and not for rain – protection so roll it up in case of rain or snow.
- › Make sure the awning is closed in windy weather conditions.
- › Do not hang any other objects on the front profile or on the arms.
- › For electric powered awnings, put the switch back in 0-position after using.

OPTIONS

Sidepanel(s).

> ASSEMBLY B-23



When the motor is installed on the right hand side:
reverse the brown and the black wire

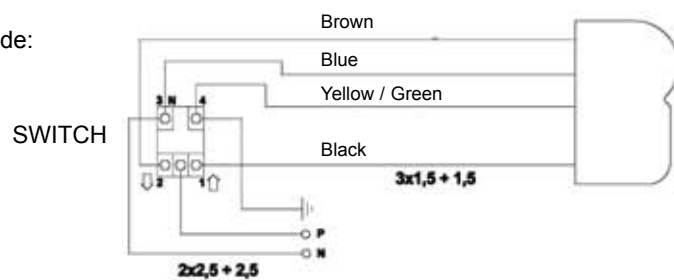


FIG 7